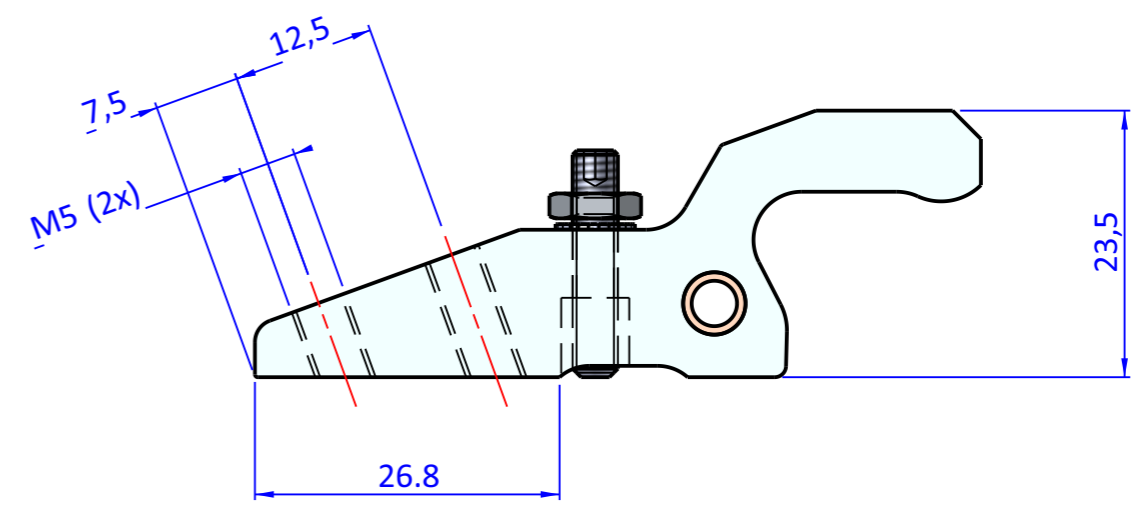
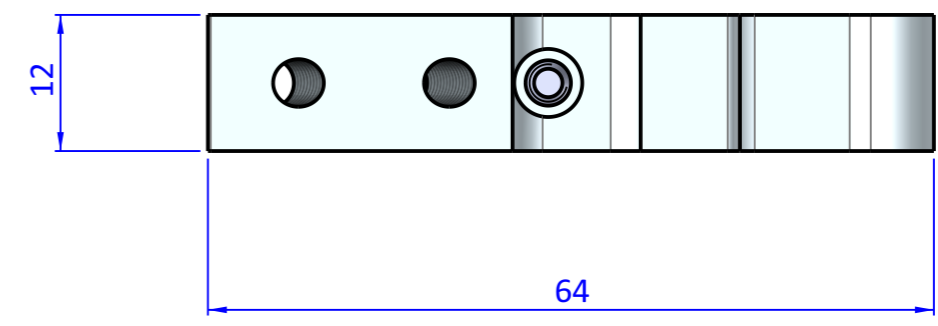
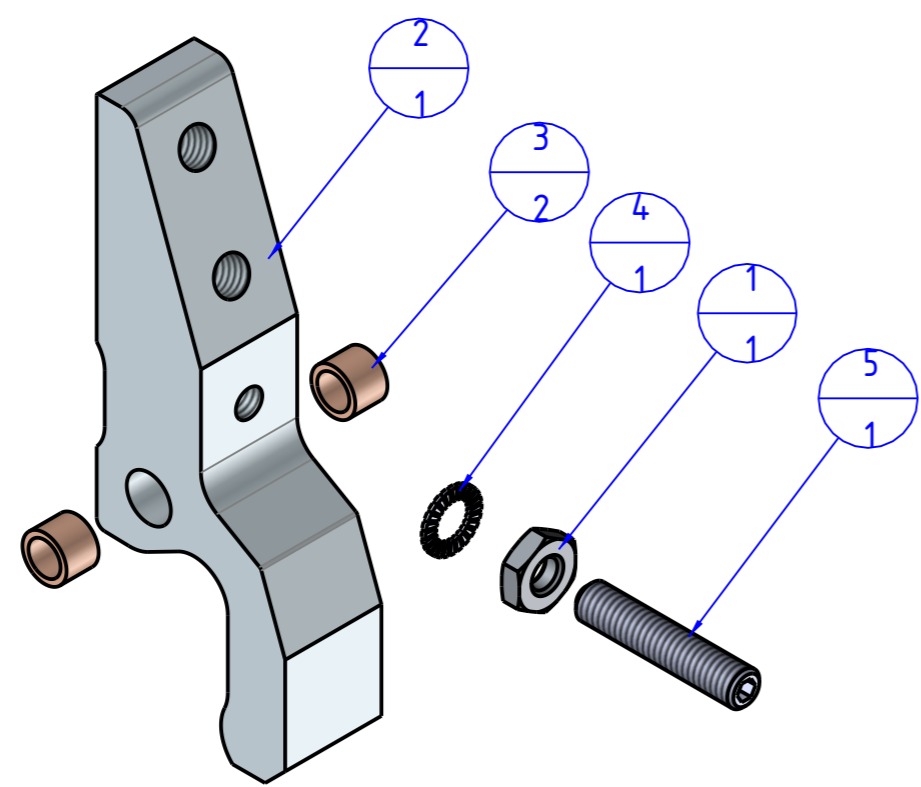

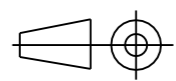


THE PROPERTY OF THE DRAWING IS ESTABLISHED BY LAW. IT IS FORBIDDEN TO PRODUCE OR SHOW IT TO THIRD PART - WITHOUT A WRITTEN AGREEMENT.

Item	Name	Q.ty
1	D.4	1
2	GTS.1004.29	1
3	PAP.0405504	2
4	R.4.SCH	1
5	V.STM4X20	1



Format A3  
UNI 936-76

 <b>FPS</b> FPSERVICES AUTOMATION			DESIGNED FROM <b>FPS Automation</b>	REVIEW <b>A</b>
GENERAL TOLERANCE UNI - ISO 2768 CLASSE f		DESCRIPTION <b>GTS.04.29</b>		DATE 21/09/2021
		WEIGHT 0,060kg		CODE <b>GTS.04.29</b>